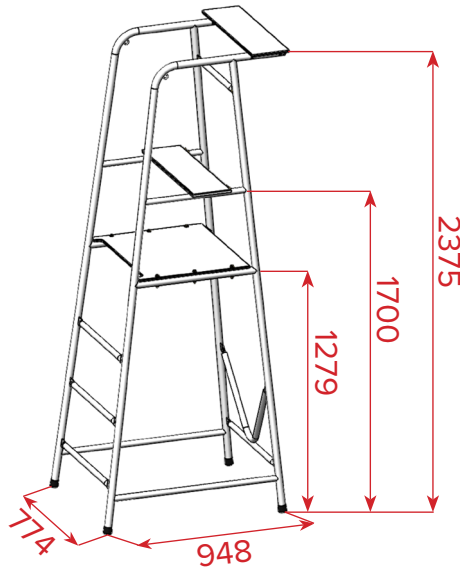
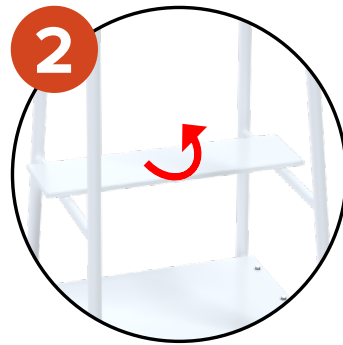


Galvanised steel referee stand. Platform height 1.3m



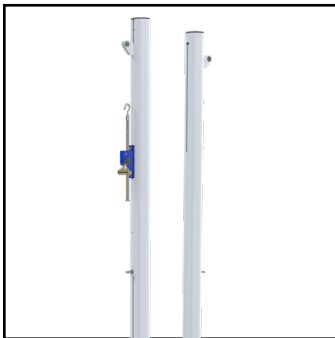
Height	2.38m
Width	0.77m
Depth	0.95m
Weight/unit	35 kg
Material	Galvanised steel
Colour	White powder-coated

STRENGTHS

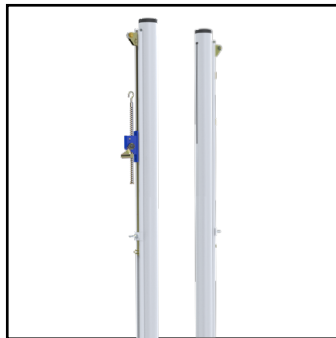


- 1. Anti-slip glides
- 2. Hinged seat for stops of play

RELATED PRODUCTS



**30170S** - Ø 90mm socketed posts. Winch tension system. Class B



**30251S**- Ø 90mm socketed posts. Winch tension system. Class A



**30429S** - Galvanised steel referee stand. For high competition. With paddings